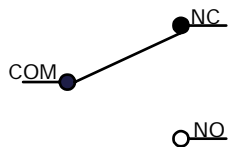


P.C. MOUNTING

O.P. (MM)	P.T. (MM)
10.0 ± 0.5	1.8 MAX.

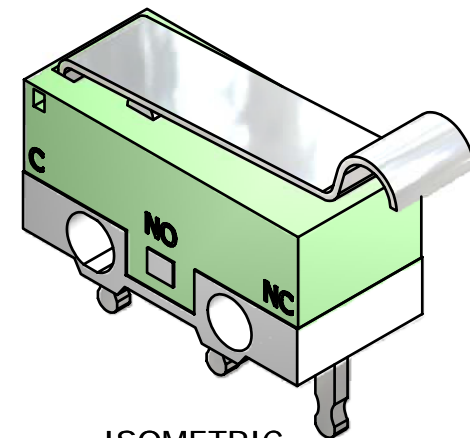
O.P. = OPERATING POINT
P.T. = PER-TRAVEL



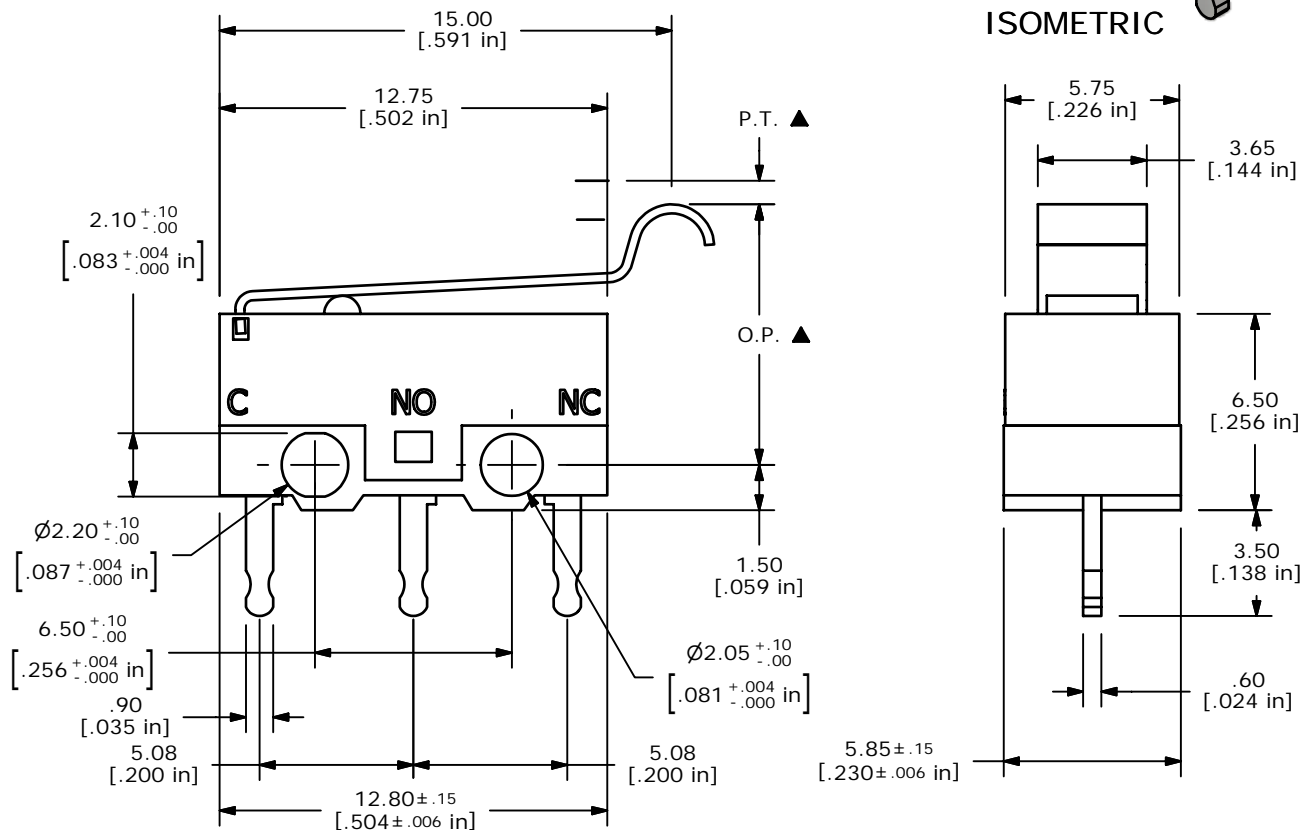
CIRCUIT: SPDT

NOTES:

- ALL DIMENSIONS IN MM [INCH]
- GENERAL TOLERANCE: X.X = ± 0.4
X.XX = ± 0.25
- ▲** 3. RATING: 0.1A @ 5VDC
4. OPERATING FORCE: 50 ± 12 GRAMS
5. OPERATING TEMP: -25°C TO 105°C
6. ELECTRICAL LIFE: 300,000 CYCLES MIN.
7. INSULATION RESISTANCE: 100 MEGA-OHMS
8. DIELECTRIC STRENGTH: 1000VAC-MIN.
9. **▲** DENOTES CRITICAL PARAMETER.
10. 2002/95/EC (ROHS) COMPLIANT
11. CONTACT MATERIAL: SILVER



ISOMETRIC



B	17479	REVISED AND REDRAWN	7/17/07	BF
REV	PCR NO	DESCRIPTION	DATE	BY

TITLE DM085Q102F050P1A				
SCALE	DATE	DR	DWG	REV
4:1	7/17/2007	BF	P030019	B

THE INFORMATION CONTAINED IN THIS DOCUMENT IS PROPRIETARY TO E-SWITCH AND IS NOT TO BE COPIED OR TRANSFERRED